

R16TG, R17TG



Energy
Management

Lockshields for radiators, with self-sealing tail piece

Datasheet
1034EN 06/2020



R16TG



R17TG

Chrome plated brass lockshields for radiators, angled (R16TG) or straight (R17TG), with iron pipe connection or connection for copper, plastic or multilayer pipe adaptor. Equipped with self-sealing tail piece.

Versions and product codes

SERIES	PRODUCT CODE	CONNECTIONS	TYPE
R16TG	R16X032	3/8" x 3/8"	Angle
	R16X033	1/2" x 1/2"	
	R16EX037	1/2" x 3/4"E	
R17TG	R17X032	3/8" x 3/8"	Straight
	R17X033	1/2" x 1/2"	
	R17EX037	1/2" x 3/4"E	

Accessories

• R178E, R179E: Eurocone adaptors for copper, plastic or multilayer pipe

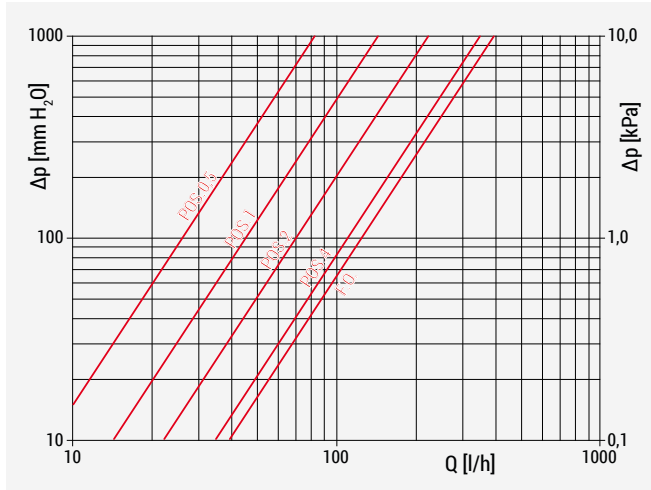
Technical data

Performance

- Fluid of use: water and glycol solutions (max. 30 %)
- Temperature range: 5+110 °C
- Max. working pressure: 16 bar

Hydraulic features

R16X032



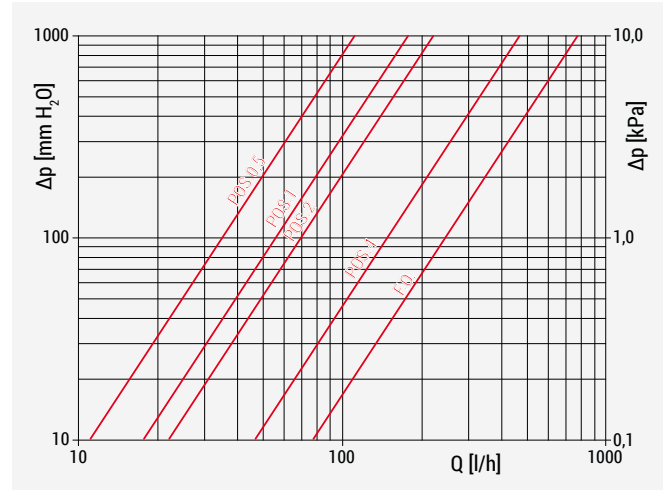
N° of opening turns of the lockshield, starting from Fully Closed position

N° of turns	0,5	1	2	4	F.O.
Kv	0,26	0,45	0,70	1,22	1,34

Materials

- Body, cap, stem and main components: UNI EN 12165 CW617N chrome plated brass
- Gaskets: EPDM

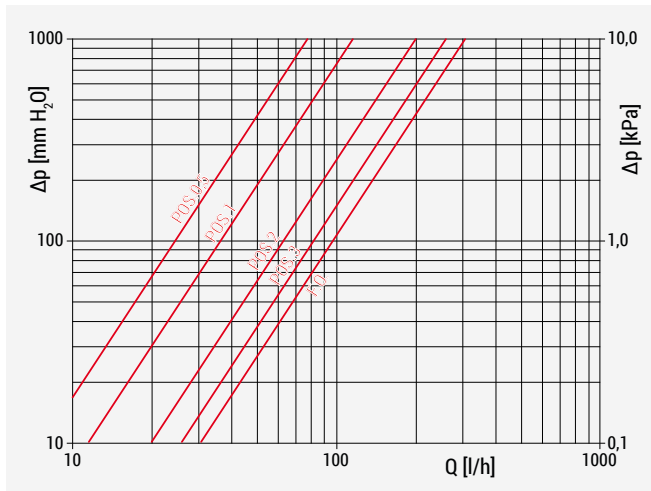
R16X033, R16EX037



N° of opening turns of the lockshield, starting from Fully Closed position

N° of turns	0,5	1	2	4	F.O.
Kv	0,35	0,57	0,70	1,56	2,50

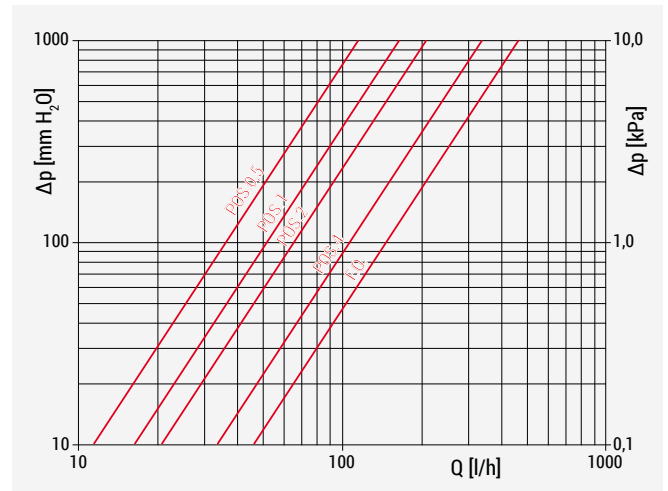
R17X032



N° of opening turns of the lockshield, starting from Fully Closed position

N° of turns	0,5	1	2	3	F.O.
Kv	0,24	0,37	0,63	0,81	0,96

R17X033, R17EX037

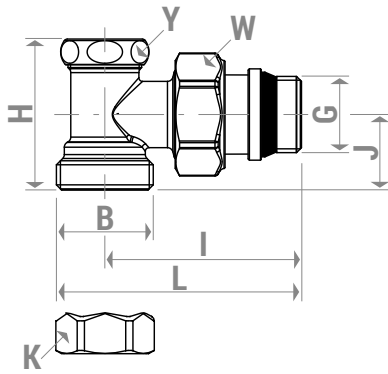


N° of opening turns of the lockshield, starting from Fully Closed position

N° of turns	0,5	1	2	4	F.O.
Kv	0,37	0,51	0,67	1,13	1,55

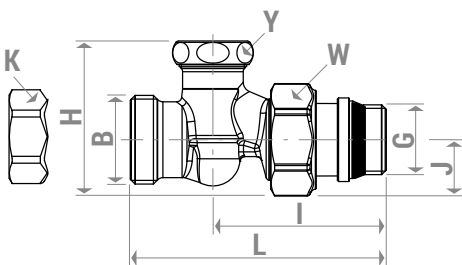
➤ Dimensions

R16TG



PRODUCT CODE	G x B	H [mm]	I [mm]	J [mm]	K [mm]	L [mm]	Y [mm]	W [mm]
R16X032	3/8" x 3/8"	34	50	18	21	62	19	27
R16X033	1/2" x 1/2"	40	53	21	25	67	22	30
R16EX037	1/2" x 3/4"E	40	53	21	-	67	22	30

R17TG



PRODUCT CODE	G x B	H [mm]	I [mm]	J [mm]	K [mm]	L [mm]	Y [mm]	W [mm]
R17X032	3/8" x 3/8"	38	51	15	21	71	19	27
R17X033	1/2" x 1/2"	45	51	17	25	75	22	30
R17EX037	1/2" x 3/4"E	46	51	17	-	76	22	30

➤ Product specifications

R16TG

Chrome plated angle lockshield, with iron pipe connection or connection for copper, plastic or multilayer pipe adaptor. With self-sealing tail piece. Body, cap, stem and main components: UNI EN 12165 CW617N brass. Gaskets: EPDM. Fluid of use: water and glycol solutions (max. 30 %). Temperature range: 5+110 °C. Max. working pressure: 16 bar.

R17TG

Chrome plated straight lockshield, with iron pipe connection or connection for copper, plastic or multilayer pipe adaptor. With self-sealing tail piece. Body, cap, stem and main components: UNI EN 12165 CW617N brass. Gaskets: EPDM. Fluid of use: water and glycol solutions (max. 30 %). Temperature range: 5+110 °C. Max. working pressure: 16 bar.

⚠ Safety Warning. Installation, commissioning and periodical maintenance of the product must be carried out by qualified operators in compliance with national regulations and/or local standards. A qualified installer must take all required measures, including use of Individual Protection Devices, for his and others' safety. An improper installation may damage people, animals or objects towards which Giacomini S.p.A. may not be held liable.

♻ Package Disposal. Carton boxes: paper recycling. Plastic bags and bubble wrap: plastic recycling.

ℹ Additional information. For more information, go to giacomini.com or contact our technical assistance service. This document provides only general indications. Giacomini S.p.A. may change at any time, without notice and for technical or commercial reasons, the items included herewith. The information included in this technical sheet do not exempt the user from strictly complying with the rules and good practice standards in force.

♻ Product Disposal. Do not dispose of product as municipal waste at the end of its life cycle. Dispose of product at a special recycling platform managed by local authorities or at retailers providing this type of service.