

G 6/4" ELECTRIC HEATING ELEMENTS with thermostatic head and contactor

Output: 2 - 9 kW

Application: thermal stores with DHW



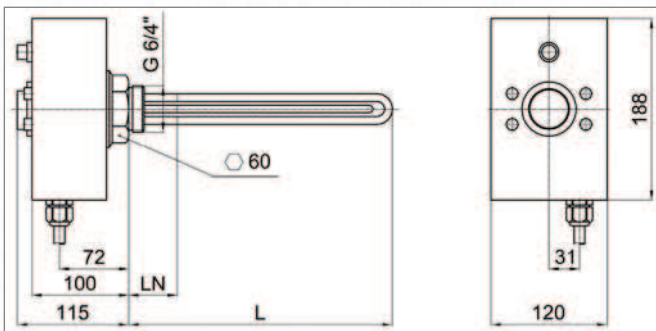
ETT-L Electric Heating Elements

Non-nickel-plated resistance heating elements with a longer non-heating end, with **a thermostatic head and contactor**, intended for heating of static heating water or antifreeze fluid **in thermal stores with DHW**. They are not intended for hot water storage tanks! These elements are not intended for stainless steel tanks.

They are designed to be installed in a horizontal position so that the element is completely immersed, the cable gland downwards. They are power supplied by a 7-core cable wired to a terminal box or fuse board.

The heating element features one input for a Ripple control signal and one for master heating system controller.

Dimensions, Models



Technical Data

HEATING ELEMENT	nickel plated copper
CONNECTION	G 6/4" M
HEXAGON WITH G 6/4" THREAD	nickel plated brass
POWER SUPPLY	400/230V 50 Hz
IP RATING	IP 54
PROTECTION CLASS BY EN 61140 ed.2	I
OPERATING THERMOSTAT	capillary type, adjustable
SWITCH-OVER CONTACT	16 A
TEMPERATURE ADJUSTMENT RANGE	from 0 ± 5 °C to 90 ± 3 °C
TEMPERATURE ADJUSTMENT METHOD	rotating knob
SWITCHING DIFFERENCE	5 ± 1.5 °C
LOWER LIMIT	about 15 °C – frost protection
UPPER LIMIT	about 60 °C
SAFETY THERMOSTAT	capillary type, fixed setting
SWITCH OFF TEMP.	99 ± 0/-6 °C
RESET	manual, after temperature drops below 50 °C
CONTACTOR	AC1 : 20 A / 690 V, 1Z
COIL VOLTAGE	AC 220 – 240 V
FREQUENCY	50 Hz

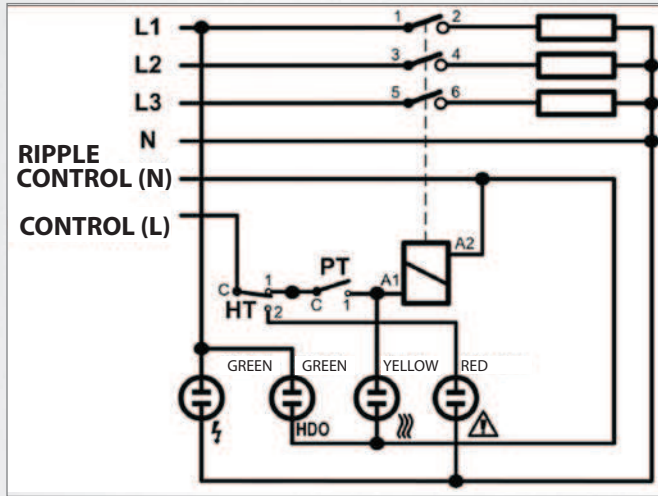
The elements feature a longer non-heating end (dimension LN) that permits their use for Regulus Thermal Stores with DHW.

MODEL		ETT-L 2.0	ETT-L 3.0	ETT-L 5.0	ETT-L 6.0	ETT-L 7.5	ETT-L 8.2	ETT-L 9.0
NOMINAL OUTPUT	kW	2.0	3.0	5.0	6.0	7.5	8.2	9.0
NOMINAL CURRENT	A	2.9	4.3	7.3	8.7	10.8	11.8	13.0
ELEMENT LENGTH (L)	mm	310	370	500	555	635	700	755
NON-HEATING END LENGTH (LN)	mm	180	180	180	180	180	180	180
CODE	--	14 994	14 995	14 996	14 997	14 998	14 999	15 000

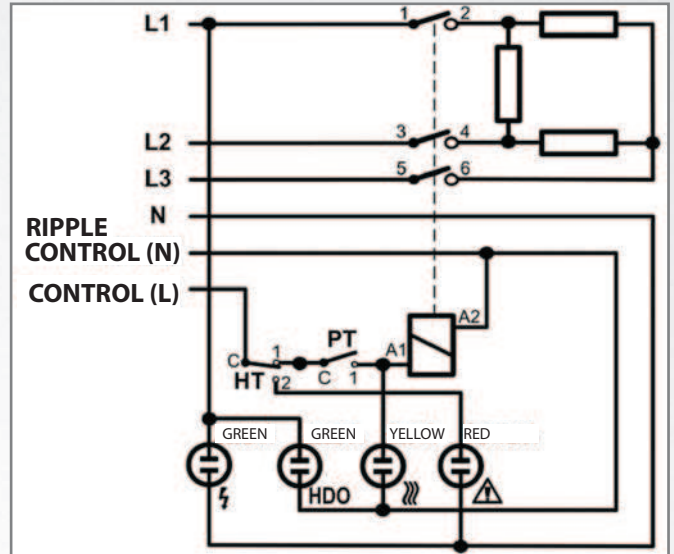
Electric Wiring

3/N/PE AC 400/230V

2- 6 kW



7.5 - 9 kW



Wiring examples:

