

Fluxo Slim Ventura Hand Dryer

Code: **HD 1SV**

Operation: automatic sensor, does not require contact with your hands.

Materials: plastic ABS white painted case and high quality polycarbonate board.

Caracteristici tehnice: Equipped with reliable motor, HEPA filter, UV sterilization and removable drip tray.

Drying time: 7-10 sec.

Total rated power: 1.650 W / 700 W

Motor: 22 000 RPM

Voltage: 220-240 V

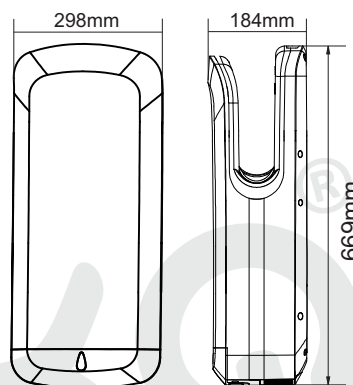
Safety class: IPX1

Hot air temperature: 40°C

Airspeed: 100 m/s

Weight: 9,1 kg

Dimensions: 67 x 30 x 18 cm



Installation and setup: The space between the base and floor or obstacles must be more than 15 cm, because the power operating part is at the bottom of the unit. First, wire the unit and attach the installation panel to the wall, by using the 5 installation screws. Second, you have to pull out the drain tank and air filter, and then the electric cover and power cords. After you pull the separate line power cord into the unit, install the terminal block cover. Fix the unit and then install the air filter and the drain tank.

Product manufactured in accordance with quality, safety and environmental protection of the EC.

CE certification approved.

Fluxo is a registered trade mark of Higiene Lacroix - Romania. Higiene Lacroix reserves the right to make changes and/or modifications to the products and their specifications without prior notice.



