

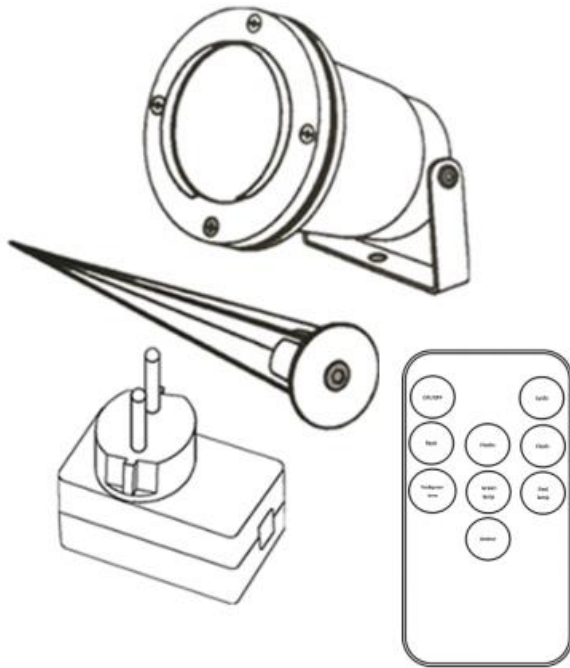
USER'S MANUAL

Decorative Laser Light Projector

Code: PROJ-LSR-RG8-WL

Well®

Thank you for choosing **WELL**. Please read carefully the following instructions and keep them within reach.



LASER RADIATION
DO NOT STARE INTO BEAM
MAX OUTPUT<1MW

WARNING:

Use provided
transformer only.

USER'S MANUAL

Decorative Laser Light Projector

Code: PROJ-LSR-RG8-WL

Well[®]

CAUTION! Performance of procedures other than those specified herein may result in hazardous radiation exposure.

This laser is certified as a class II laser product to the requirements of the US federal laser product performance standard (FLPPS) Contained in the regulation in 21 CFR sub-chapter j.

Class II laser products can be hazardous when directly viewed.

Avoid direct viewing of class II laser energy. For reference the FLPPS requirements for demonstration laser products like laser pointers are limited to class II levels of laser energy. This product uses diffractive optics to scatter the beam energy. This scattering effect causes the energy concentration to drop below the exposure limits for momentary or accidental viewing at a relatively short distance from the laser aperture. As similar with all bright light sources, when you operate this device in unsupervised general public areas, it is recommended that up-close access to the outdoor laser be restricted or prevented. This laser display device incorporates a class II laser system which, by itself, maybe hazardous However, this laser display device incorporates a protective housing and diffractive holographic optics in the machine's design such that there is no exposure or human access to the laser radiation during operation or maintenance above the class ii limits, Each individual laser beam's power is less than 5mw, Which is about an average laser pointer.

Warning! Under no circumstance shall attempts be made to open the protective housing or operate the device if the aperture windows are damaged. All service to this laser display device requiring the protective housing to be opened and /or removed shall be performed by a outdoor laser service personal or their authorized agents. No user-serviceable parts-opening the outdoor laser protective housing voids the warranty.

Changes or modifications to this equipment not expressly approved by the party responsible for compliance could void the user's authority to operated the equipment. This device complies with Part 15 of CE&ROHS Rules. Operation is subject to the following two conditions:(1) this device may not cause harmful interference, and(2) this device must accept any interference received, including interference that may cause undesired operation of the device.

USER'S MANUAL

Decorative Laser Light Projector

Code: PROJ-LSR-RG8-WL

Well®

Important safety instruction

Please exercise the following precaution:

Do not aim or shine at people, animals or traffic from land sea or air.

Use with caution with 5-10 nautical miles of an airport.

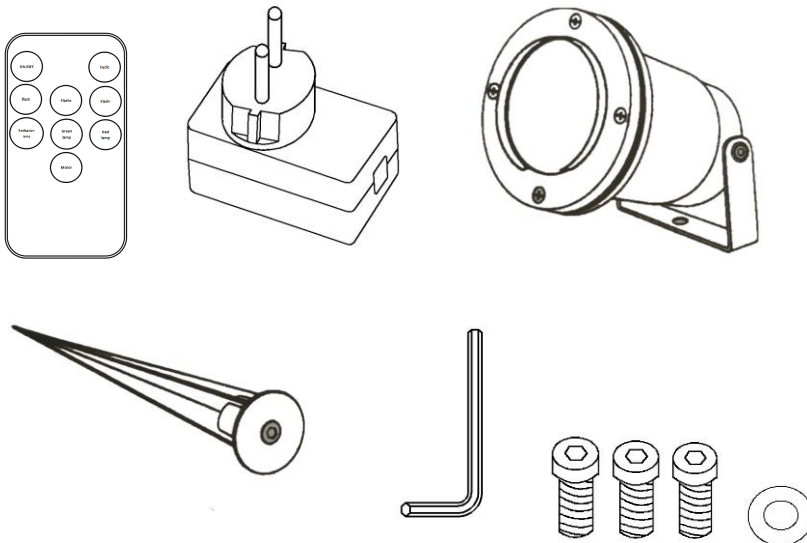
This outdoor Laser should always be stationary, do not hold in hand when operating.

Position the out door laser so that. The lights are within the confines of the target object.

Do not use near infants/cribs and keep away from children.

Before your begin

Carefully unpack contents and check to make sure all parts are present. Some assembly may be required.



USER'S MANUAL

Decorative Laser Light Projector

Code: PROJ-LSR-RG8-WL

Well®

Assembly

1. Remote controller already contains a battery inside of body.
2. Remove the hex screw and washer from the stake with the included tool.
3. Use the same hex screw and washer to attach the stake to the pivot bracket. (FIG1)
4. Stake into the to ground.
5. Position the projector by loosening and tightening the angle adjustment screws. A distance of 5m from the wall will yield about 5 square meters.
6. Attach projector to transformer by fully inserting the two-pronged plug and tighten the wire cap.(FIG.2)

FIG.1

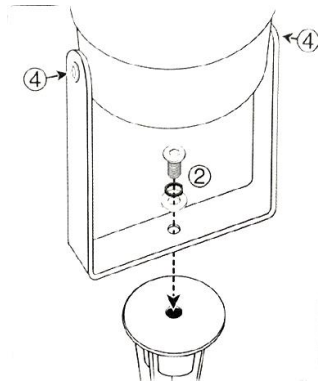


FIG.2



Operation

Noted, before use, must be matched on the remote control.

Red button: power switch, power on/off.

Color: Press Red laser button for Red only. Press Green laser button for Green only. Press pressing Red& Green button for Mixed colors.

Speed +, Speed-: motor speed control, to control the images change speed.

Flash+ increase flash speed

USER'S MANUAL

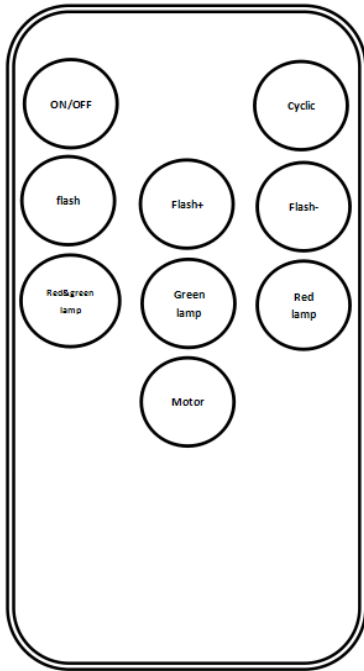
Decorative Laser Light Projector

Code: PROJ-LSR-RG8-WL

Well®

Flash – decreases flash speed

Cyclic Automatically cycles through all the modes



Product parameters

Laser classification	Class II
Laser wavelength(s)	RED 650nm, GREEN 532nm.
Laser Diode life	About 7000 hours (at 4 hours per day)
Power input	220-240 V
Power output	5V 1A
Work temperature	-25°C-40°C
Remote controller distance	>15 meters
Projection coverage	Aprox. 5m ²
IP Grade	IP65 projector , IP44 for the adaptor
Remote controller battery need	CR2025

USER'S MANUAL

Decorative Laser Light Projector

Code: PROJ-LSR-RG8-WL

Well®

CARE AND USE:

- Only for decorative use! For indoor and outdoor use, IP44.
- For outdoor use ensure that the socket outlet or any extension cord is complying with the protection class IP44 (water proof). In case of doubt ask a professional electrician for advice.
- The projector shall be used only with the provided adaptor and supply cord.
- Do not connect the projector to the supply while it is in the packaging or un assembled.
- Never leave unattended or in a place where children or pets could reach or interact with the product.
- Keep away from fire and sources of heat
- Please unplug the product fully from the mains socket when not in use
- This decorative light is intended for decorative purpose only and not suitable for household room illumination



Ecological information: Waste electrical and electronic equipment are a special waste category, collection, storage, transport , treatment and recycling are important because they can avoid environmental pollution and are harmful to health. Submitting waste electrical and electronic equipment to special collection centers makes the waste to be recycled properly and protecting the environment. Do not forget ! Each electric appliance that arrive at the landfill, the field , pollute the environment!



Importer & distributor:

SC VITACOM ELECTRONICS SRL

CIF: RO 214527

Tel. 0264-438401*

sales@vitacom.ro , www.vitacom.ro

USER'S MANUAL

Decorative Laser Light Projector

Code: PROJ-LSR-RG8-WL

Well®